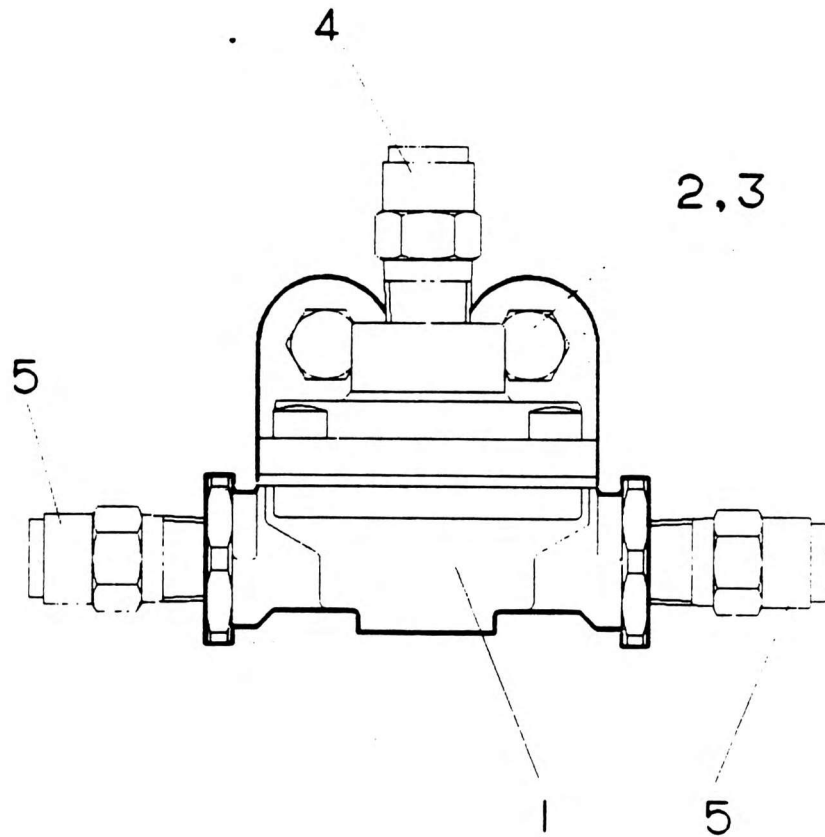


QUICK RELEASE VALVE ASSEMBLY



NO.	PART NO.	QTY.	DESCRIPTION	NO.	PART NO.	QTY.	DESCRIPTION
1 +	7-926-990158	1	Quick Release Valve				
2	7045205	2	Screw Hex Head M8 x 16 Long				
3	7067215	2	Washer Spring M8				
4	7-443-991034	1	Adaptor $\frac{1}{2}$ " NPTF x $\frac{3}{8}$ " Tube				
5	7-443-990968	2	Adaptor $\frac{3}{8}$ " NPTF x $\frac{1}{2}$ " Tube				

+ See further breakdown in this group